

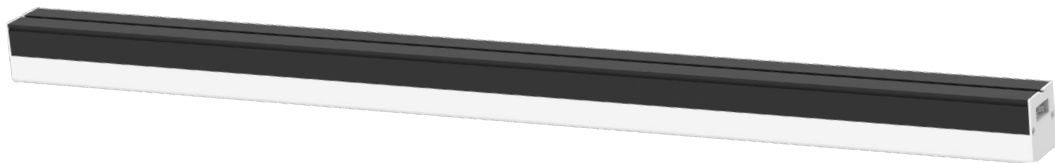


Meaningful Innovation.

WEEE Number: 80133970

INSTRUCTION MANUAL

LED LINEAR LIGHT



03 YEAR
WARRANTY*

TECHNICAL DATA

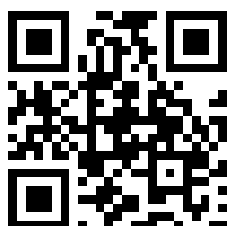
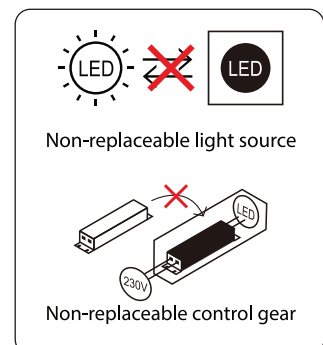
MODEL	SKU	WATTS	LUMENS	CRI	DF	BEAM ANGLE	INPUT POWER	IP RATING	DIMENSION
VT-4140	10137, 10138 23000, 23001	40W	4000Lm	>80	>0.9	120°	AC:220-240V 50/60 Hz	IP20	1200x50x58mm

INTRODUCTION & WARRANTY

Thank you for selecting and buying V-TAC product. V-TAC will serve you the best. Please read these instructions carefully before starting the installation and keep this manual handy for future reference. If you have any another query, please contact our dealer or local vendor from whom you have purchased the product. They are trained and ready to serve you at the best. The warranty is valid for 3 years from the date of purchase. The warranty does not apply to damage caused by incorrect installation or abnormal wear and tear. The company gives no warranty against damage to any surface due to incorrect removal and installation of the product. The products are suitable for 10-12 Hours Daily operation. Usage of product for 24 Hours a day would void the warranty. This product is warranted for manufacturing defects only.

WARNING

1. Please make sure to turn off the power before starting the installation.
2. Installation must be performed by a qualified electrician.
3. The light source of this luminaire is not replaceable, when the light source reaches its end of life the whole luminaire should be replaced.
4. If the external flexible cable or cord of this luminaire is damaged, it shall be exclusively replaced by the manufacturer or his service agent or a similar qualified person in order to avoid a hazard.
5. For Indoor use only



MULTI-LANGUAGE MANUAL QR CODE

Please scan the QR code to
access the manual in multiple languages.

In case of any query/issue with the product, please reach out to us at: support@v-tac.eu
For More products range, inquiry please contact our distributor or nearest dealers.
V-TAC EUROPE LTD. Bulgaria, Plovdiv 4000, bul.L.Karavelow 9B



This marking indicates that this product should not be disposed of with other household wastes.



Caution, risk of electric shock.

Mounting with hangers

For suspension mounting, it is necessary to use special suspension kits (not included in the kit purchased separately). Fasten the bracket to the ceiling with screws, install the carabiner on the back of the luminaire. Pass the cable through the hanger bracket. Pass the cable through the hole in the suspension cover, then connect the lamp to the 220V network. Installation completed!

Maintenance

Maintenance must be carried out by a qualified authorized personnel with the appropriate authority to do so.

Safety instructions

Installation and maintenance of the luminaire should only be carried out when the power supply is switched off. Do not use light sources with a power exceeding that indicated in the luminaire marking.

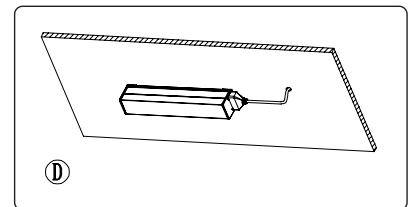
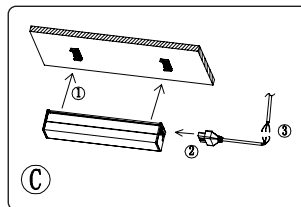
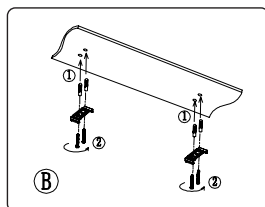
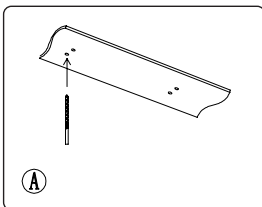
Disposal

The luminaire does not contain expensive or toxic materials requiring special disposal. Disposal is carried out in the usual way through recycling companies.

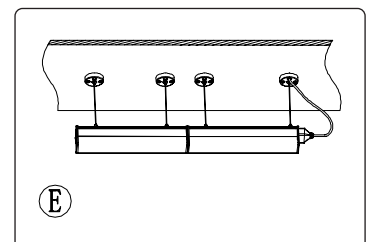
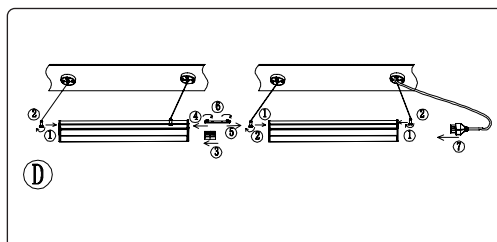
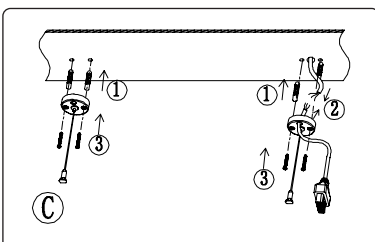
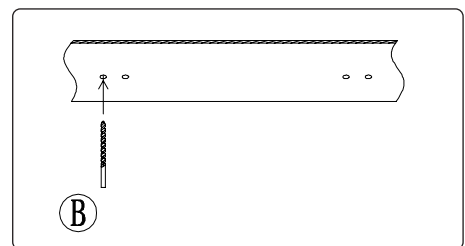
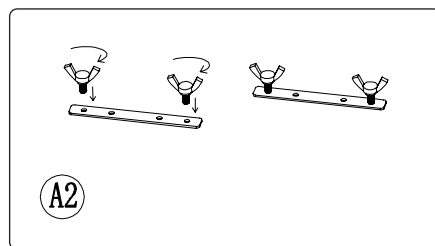
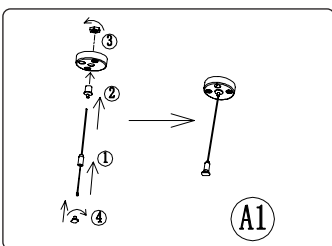
INSTALLATION DIAGRAM

MOUNTING METHODS

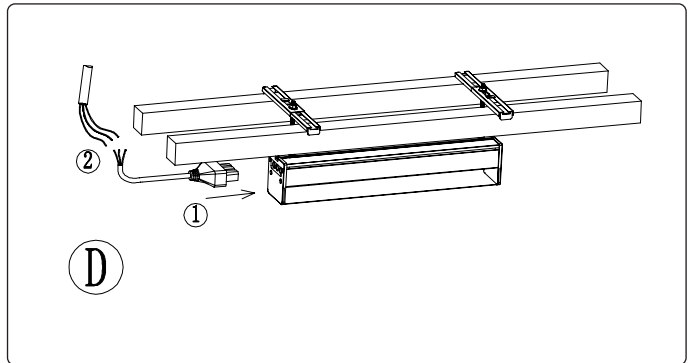
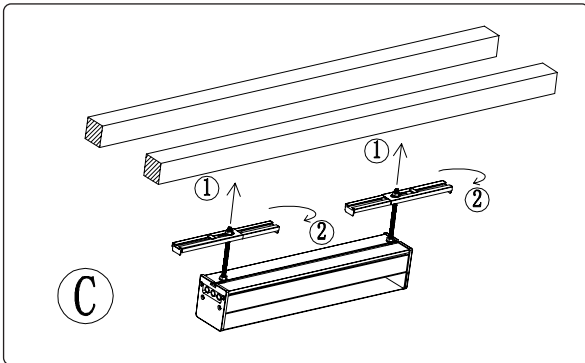
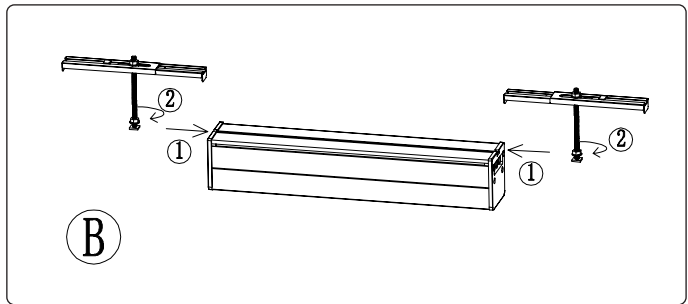
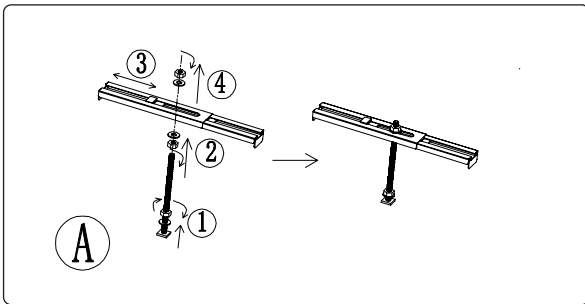
1. Surface Installation (Surface Mounting Kit Included)



2. Hanging (Accessories not included to be purchased separately)



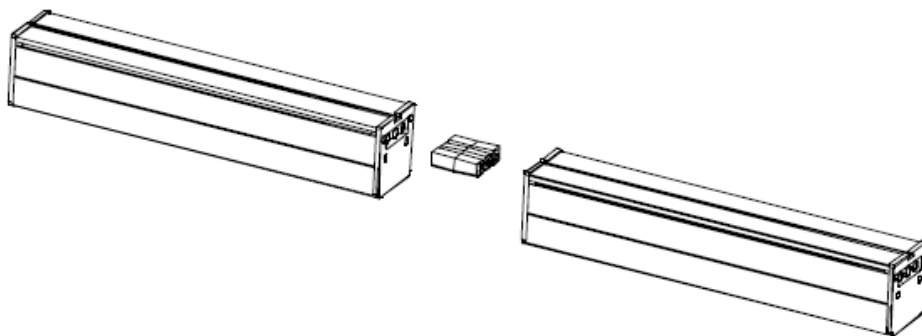
3. Recessed (Accessories not included to be purchased separately)



Wiring Diagram



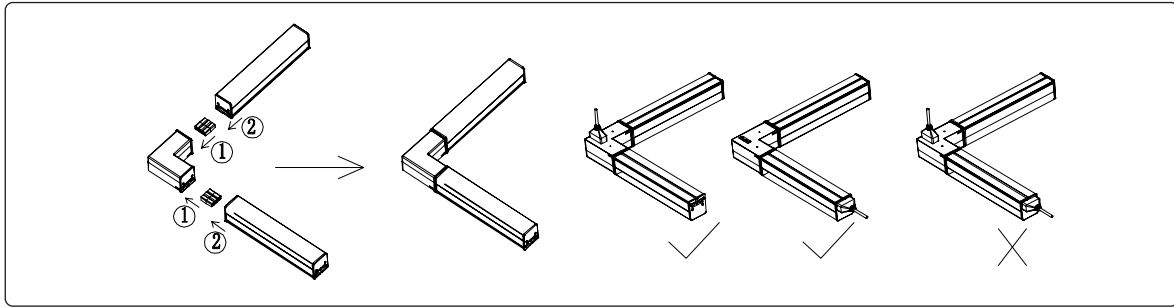
Linking Diagram (Upto 1000W)



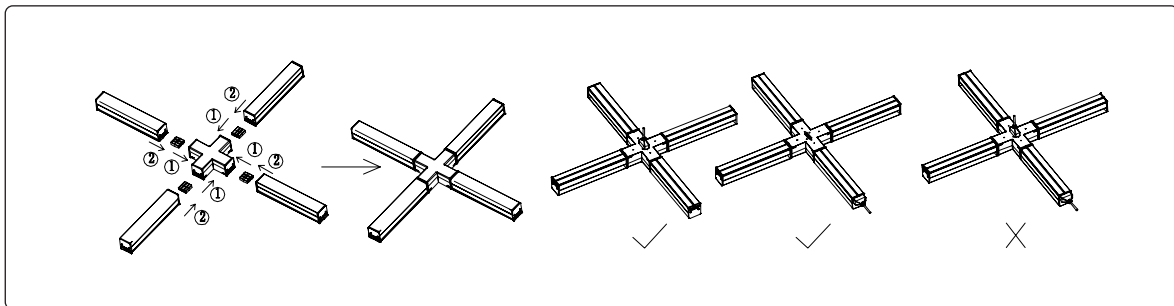
Note: When linking 2 or more fixtures, the power cable needs to be plugged only on 1 end.

Scheme of collecting fixtures “into the system” using fixtures-connectors

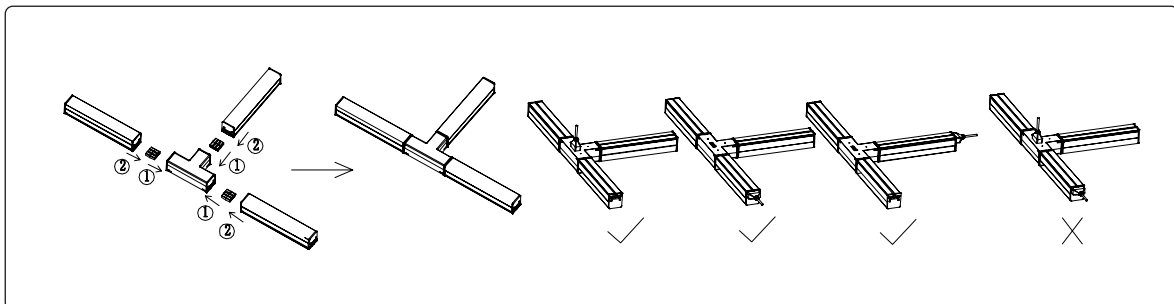
L SHAPE CONNECTION DIAGRAM



X SHAPE CONNECTION DIAGRAM



A SHAPE CONNECTION DIAGRAM



NOTE: Be careful! The power input must be one for the whole system!

Scheme for collecting fixtures “in a square”

